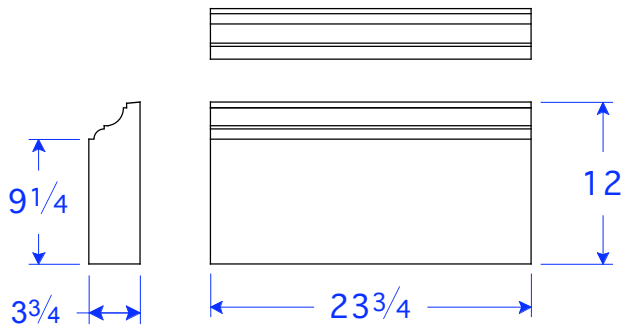
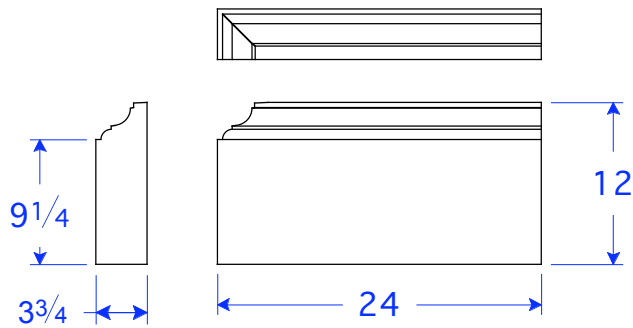


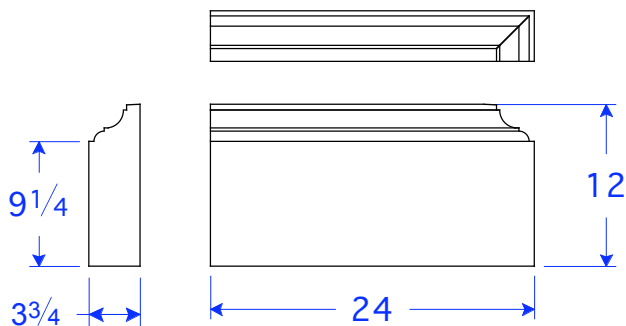
Seawright Custom Precast Base Moldings • BM 26-9.25,12.5 & 16.5



BM 26-9.25 STR
12"H x 23 3/4"L x 3 3/4"T

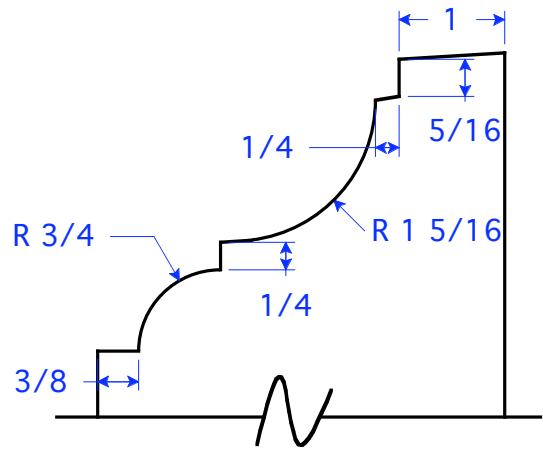


BM 26-9.25 LR
12"H x 24"L x 3 3/4"T

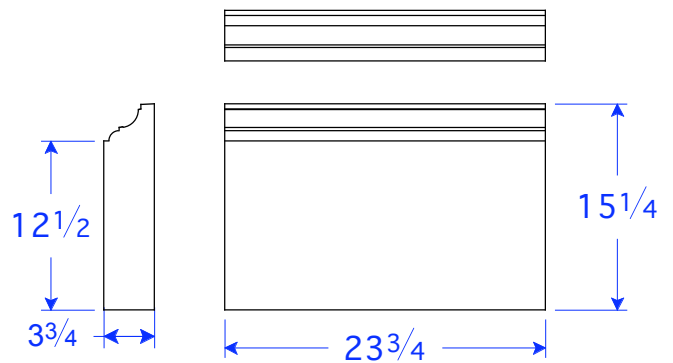


BM 26-9.25 RR
12"H x 24"L x 3 3/4"T

BM 26-9.25 Series

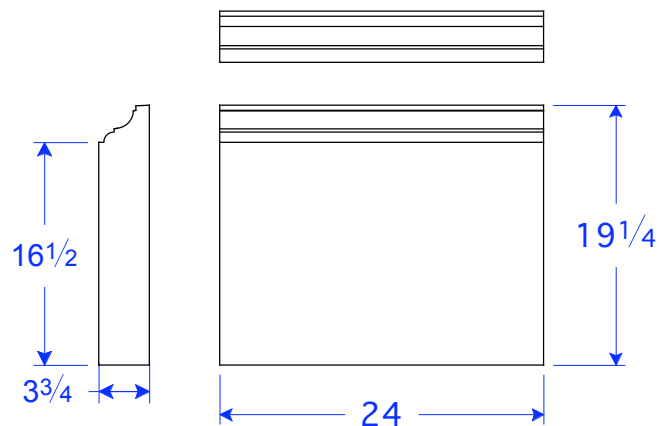


BM 26 Profile
Not To Scale



BM 26-12.5 STR
15 1/4"H x 23 3/4"L x 3 3/4"T

BM 26-12.5 Series



BM 26-16.5 STR
19 1/2"H x 24"L x 3 3/4"T

BM 26-16.5 Series

12/16/08