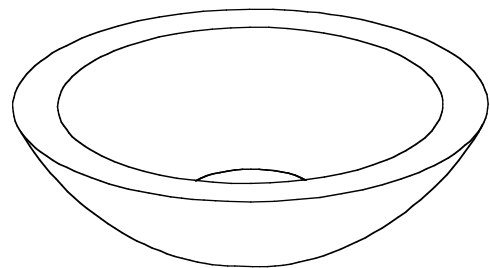
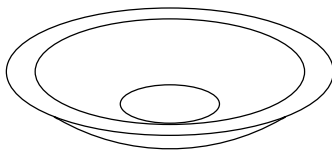
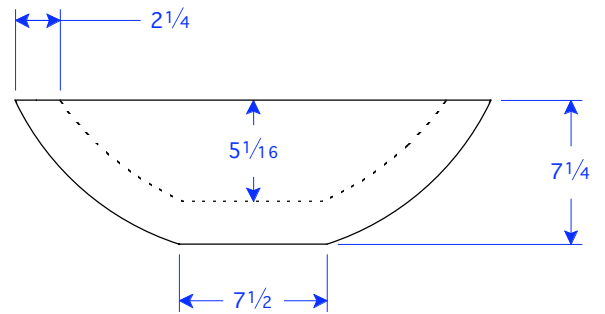
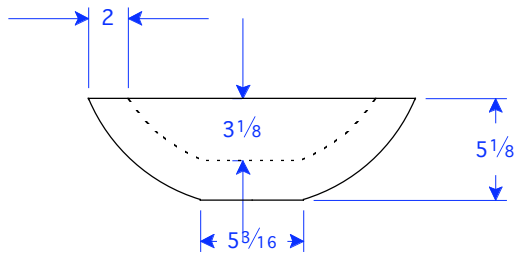
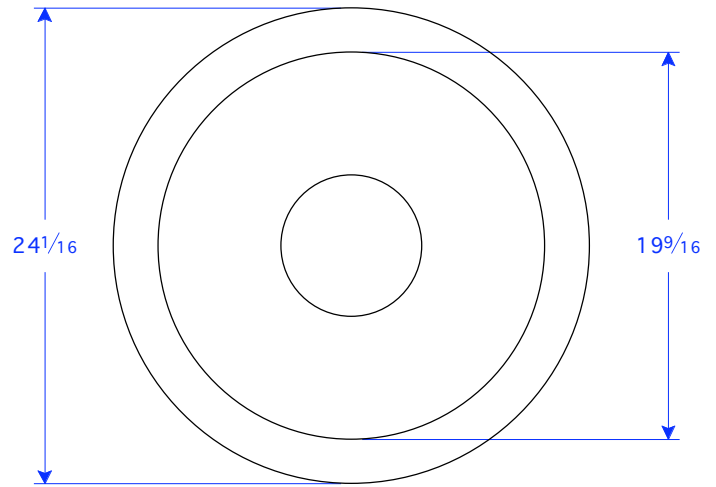
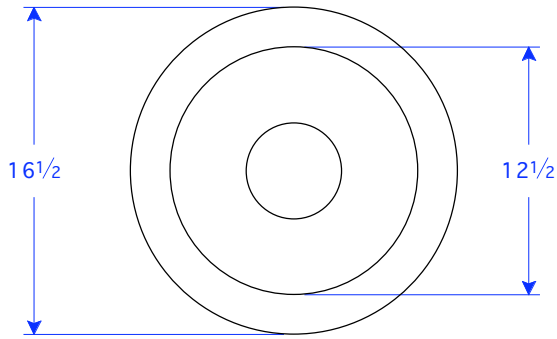


Water-proof membrane sealant not included and must be used for planting or water feature use.



LB 01-16.5
16 1/2"O.D. x 5 1/8"H

LB 01-24
24"O.D. x 7 1/4"H

Drain hole can be added for additional charge.

08/22/08