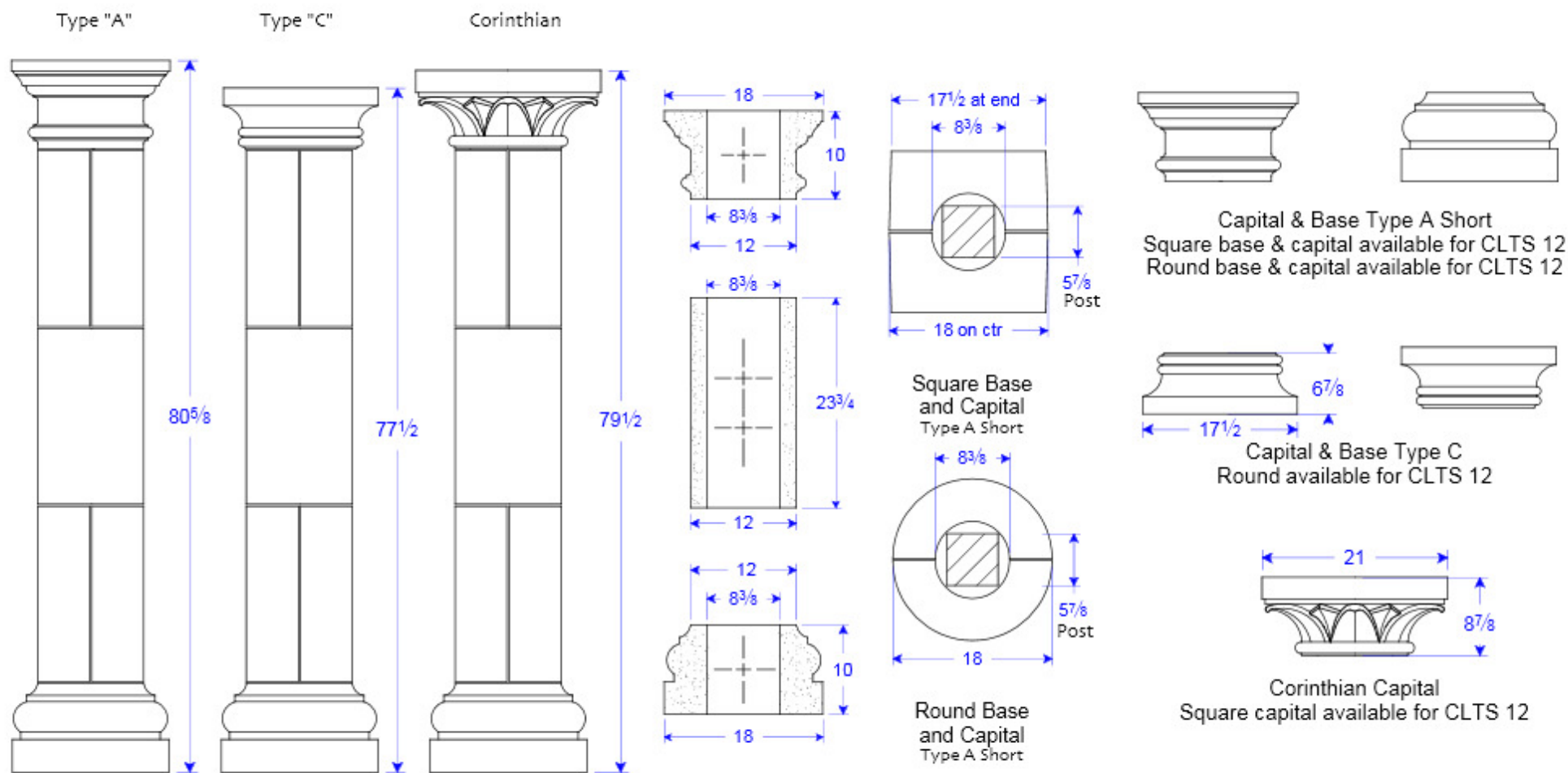


Stackable columns can be of varying heights; shafts can be field cut to fit any non-standard opening.



Column
CLTS 12 TYPE "A"

Capital
18" x 10"H

Base
18" x 10"H

Shaft
12"OD x 23 $\frac{3}{4}$ "H

Field Cutting May Be
Required-Pieces To
Be Cut To Fit