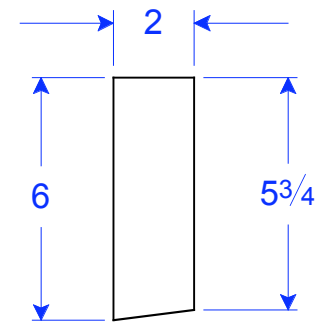
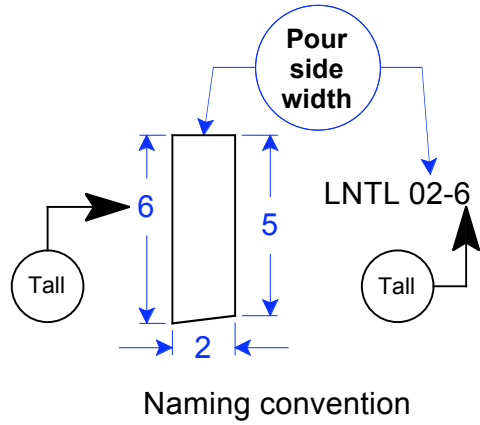
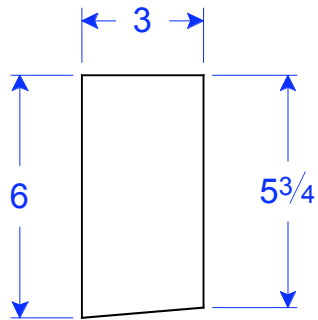


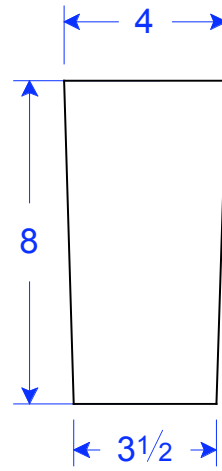
Field Cutting May Be Required-Pieces To Be Cut To Fit



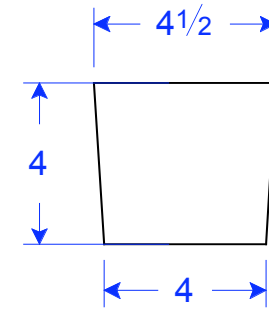
LNTL 02-6



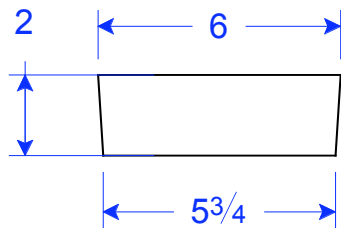
LNTL 03-6



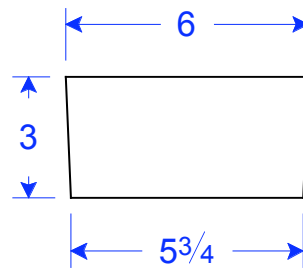
LNTL 04-8



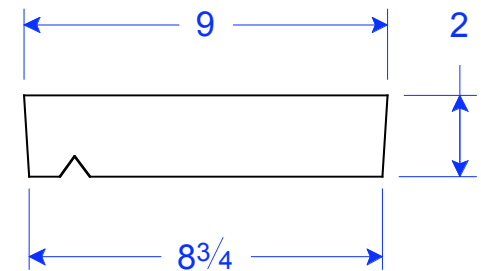
LNTL 04.5-4



LNTL 06-2



LNTL 06-3



LNTL 09-2 With Drip Edge

08/15/13