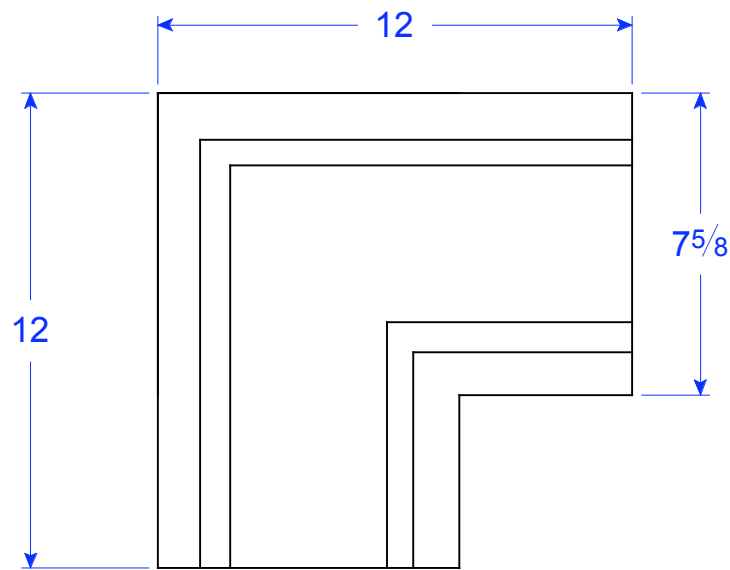
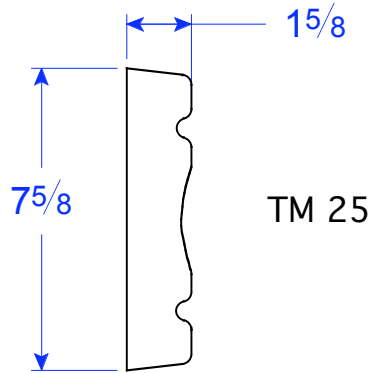
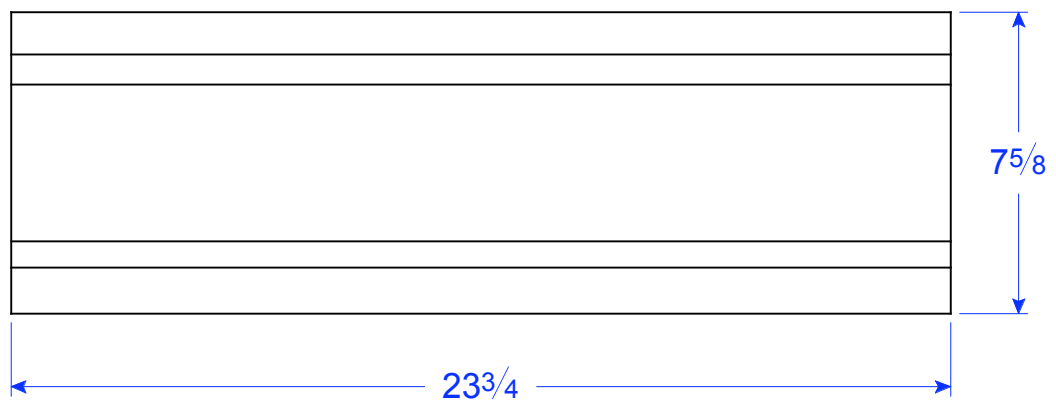


Field Cutting May Be
Required-Pieces To
Be Cut To Fit



TM 25 CF

$7\frac{5}{8}$ "W x 12"SQ x $1\frac{5}{8}$ "H



TM 25 STR

$7\frac{5}{8}$ "W x $23\frac{3}{4}$ "L x $1\frac{5}{8}$ "H