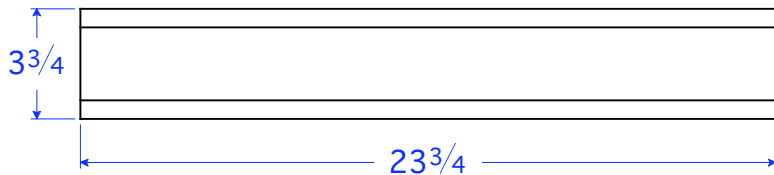
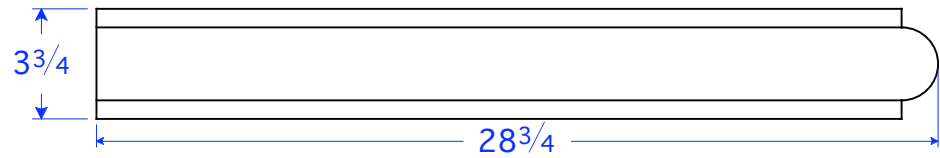


Field Cutting May Be
Required-Pieces To
Be Cut To Fit

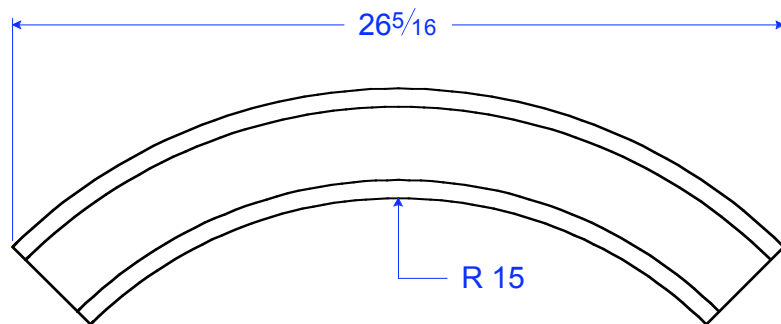
TM 31 CF
8 1/4"H x 8 1/4"L x 4"T



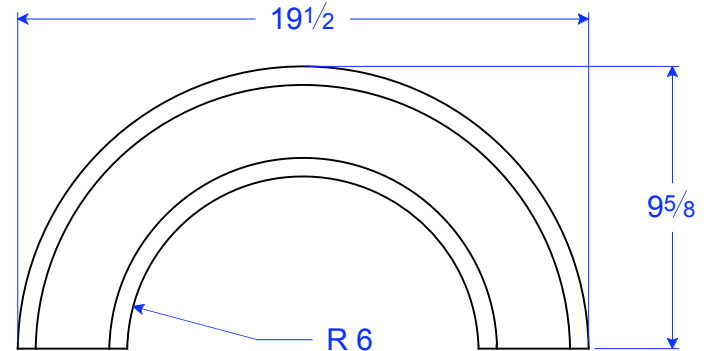
TM 31 STR
3 3/4"H x 23 3/4"L x 4"T



TM 31 RR
3 3/4"H x 28 3/4"L x 4"T



TM 31 STR R 15"
3 3/4"H x 26 5/16"L x 4"T



TM 31 STR R 6"
3 3/4"H x 19 1/2"L x 4"T