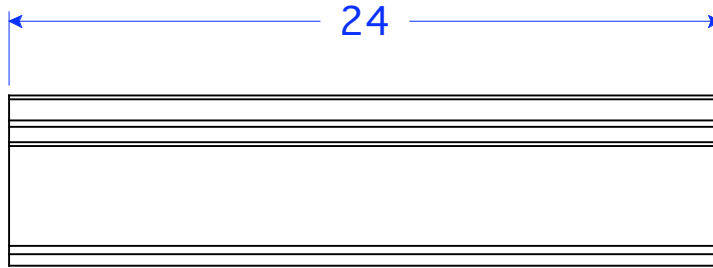
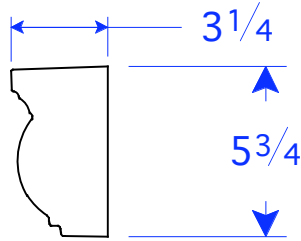
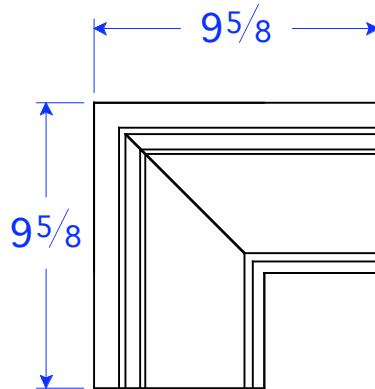


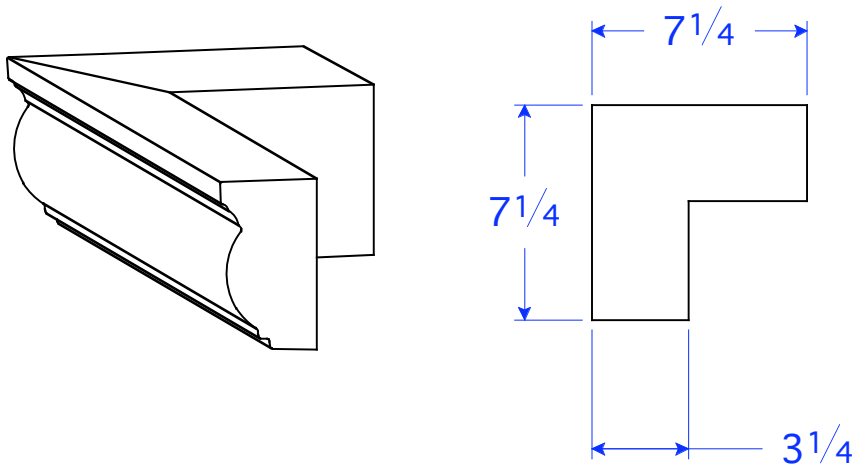
Field Cutting May Be  
Required-Pieces To Be  
Cut To Fit



TM 40 STR  $5\frac{3}{4}$ "H x 24"L x  $3\frac{1}{4}$ "T



TM 40 CF  $3\frac{1}{4}$ "w x  $9\frac{5}{8}$  SQ x  $5\frac{3}{4}$ H



TM 40 CF/RET  $3\frac{1}{4}$ "w x  $7\frac{1}{4}$  SQ x  $5\frac{3}{4}$ H